

# GD10

## GD10P (UL) IR Point Gas Detector

Fast reliable response  
No field recalibration  
Solid state IR-source

The Simrad GD10P detector is the benchmark for combustible gas detection on offshore installations. It has set the standard for gas detectors in the areas of safety, stability and low maintenance. GD10P comes with 5 years warranty.



The GD10P has been designed with features that provide an effective response to the detection of gas hazards in a wide range of industrial environments from boiler plant rooms to offshore petrochemical installations.

These infrared gas detectors differ from all other models, because they utilise silicon based solid-state infrared sources. The complete optomechanical design and construction is so stable that an ultra fast speed of response can be achieved whilst providing unparalleled service life and detector stability, thus saving on maintenance and service costs.

We offer the longest combined detector and IR source warranty on the market.

For retrofit applications, a bridge interface is available allowing the detector to be connected directly to catalytic systems, using the existing cabling and control modules.

Supplied with worldwide performance (CSA / CENELEC) and hazardous area approvals. Suitable for use in SIL 2 and SIL 3 systems.

### Features

Solid state IR sources (SimSource™)

High IR source flash rate

True dual path, double compensation optical design

Selectable response rate

Dual layer weather protector

Early dirty optics warning

Low power consumption

Independently heated mirror and lens

### Benefits

Superior long term performance compared to filament lamps

Improved stability and speed of response

No recalibration, monitors and accounts for all changes in optical path

Fastest IR point detector on the market, ideal for speed critical applications

No mesh, gauze, hydrophobic filters or sinters = No delay, no failure on demand

Improved preventative maintenance

Reduces load on UPS

High performance detection in rough environmental conditions



## Technical Data

### GENERAL

Detection method	IR-absorption, dual wavelength, dual path
IR-Source	Solid state IR source, 50Hz flash
Gases detected	Hydrocarbons, see separate data sheet for CO2 detection
Self-test	Continuous
Calibration	Factory set, no field recalibration

### PERFORMANCE

Lifetime stability *)	±5% of full scale (FS) reading
Accuracy *)	±3% FS between 0-50 % reading ±5% FS between 50-100 % reading
Response time	T20 = 1 sec. (Option 0.3 sec) T50 = 2.5 sec. (Option 0.7 sec) T90 = 6 sec. (Option 1.6 sec)
Start-up time *)	Less than 60 sec.

\*) Refers to -20°C to + 45°C

### OUTPUT SIGNAL

Standard	Current source 4 – 20 mA, max. load impedance 500 Ohm HART® for configuration and maintenance
Option	Current sink 4 – 20 mA
Detector warnings:	Configurable (HART)
- Early clean optics	Pre warning (2 mA)
- Dirty optics	Dirt accumulation (1 mA)
- Detector failure	Internal fault (0 mA)

### ELECTRICAL

Power supply	24 V DC, range 18-32 V DC
Power consumption	Approx. 3.5 W
Electrical connection	5 wire flying lead (22AWG) for wiring into termination box.
Conduit connection	1 x 3/4" NPT (F).

### TEMPERATURE RANGE

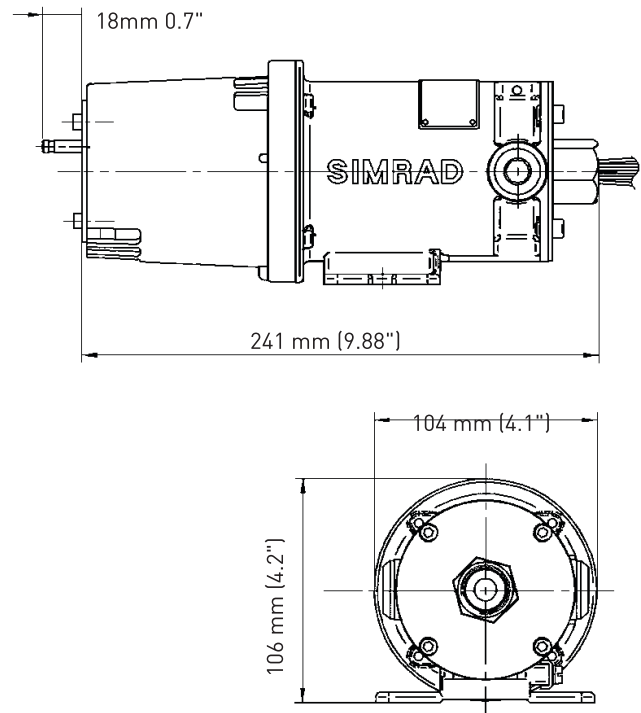
Storage	-40°C to + 70°C (-40°F to +158°F)
Operating	-40°C to + 65°C (-40°F to +149°F)
Humidity (operation)	99% RH (non condensing)

### EXPLOSION PROOF HOUSING

UL Rating	Class 1 Div 1, Group C&D
Protection category	NEMA4X (IP67 DIN 40050)
Housing material	Stainless steel SIS2343 (ASTM 316)
Weight	Approx. 2.9 kg (6.4 Lbs)
Dimensions	259L x 104W x 106H (mm) 10.2 x 4.1 x 4.2 (inches)

### WARRANTY

5 years full warranty on complete detector  
15 years warranty on the IR-sources



### APPROVALS

UL Certificate Number 092502 - E219548  
SIL Qualified for SIL2 and SIL3 systems

### VERSIONS

Gas	Ranges
Methane	0-100%LEL, 0-100%Vol
Propane	0-100%LEL

Other versions are available, please contact your dealer.

### FRONT COVER

Required, select one	
- Weather protection	For standard point detector
- Sample flow housing	For sampling systems and testing
- Duct mount kit	For through wall installation

### ACCESSORIES

Mosquito net	Extra insect protection
Sun shade	Shielding for extreme radiation exposure